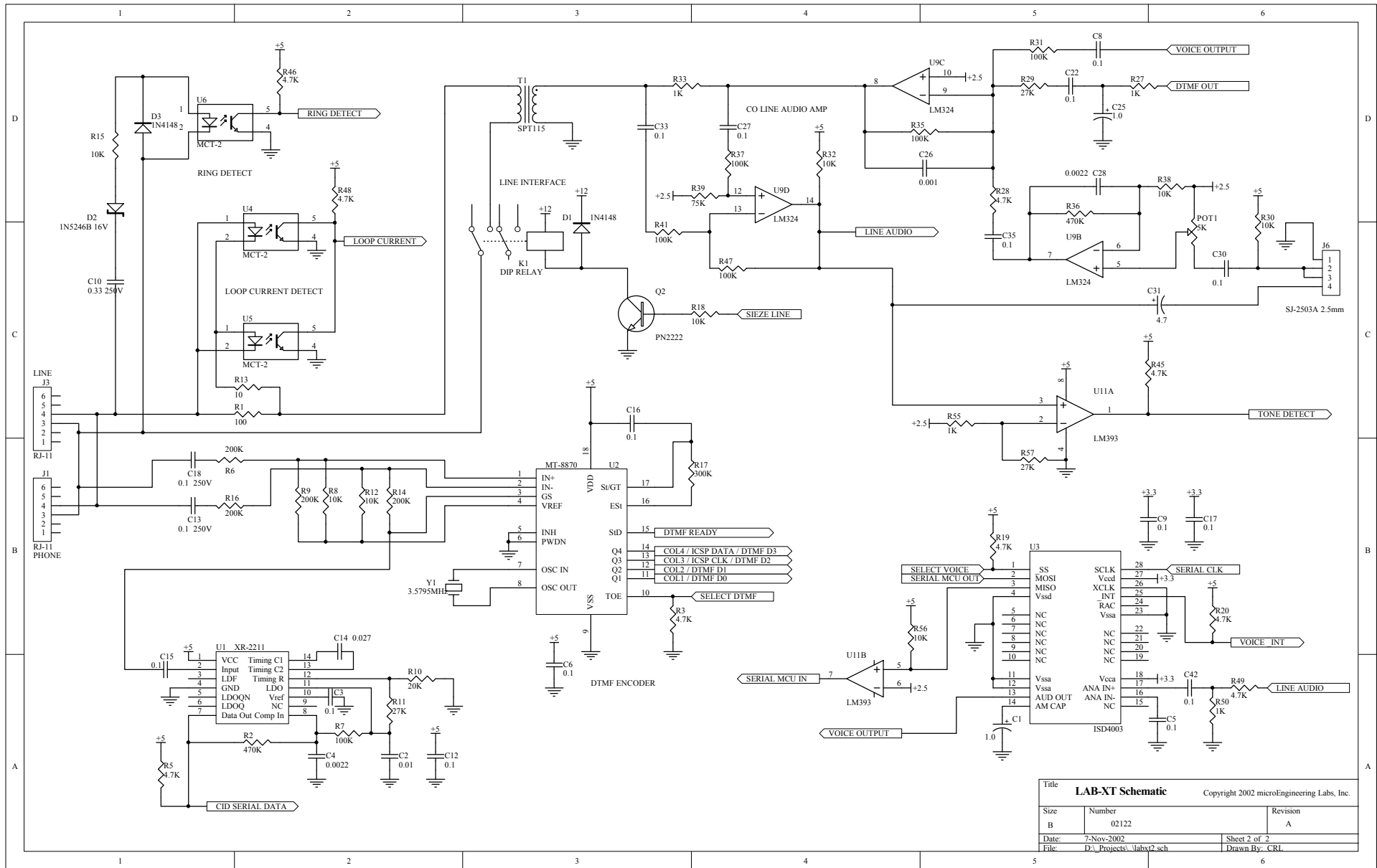


Title		LAB-XT Schematic		Copyright 2002 microEngineering Labs, Inc.	
Size	Number	Revision			
B	02122	A			
Date:	7-Nov-2002	Sheet 1 of 2			
File:	D:\Projects\labxy1.sch	Drawn By: CRL			



Title		LAB-XT Schematic		Copyright 2002 microEngineering Labs, Inc.	
Size	Number	Revision			
B	02122	A			
Date:	7-Nov-2002	Sheet 2 of 2			
File:	D:\Projects\labxy2.sch	Drawn By: CRL			